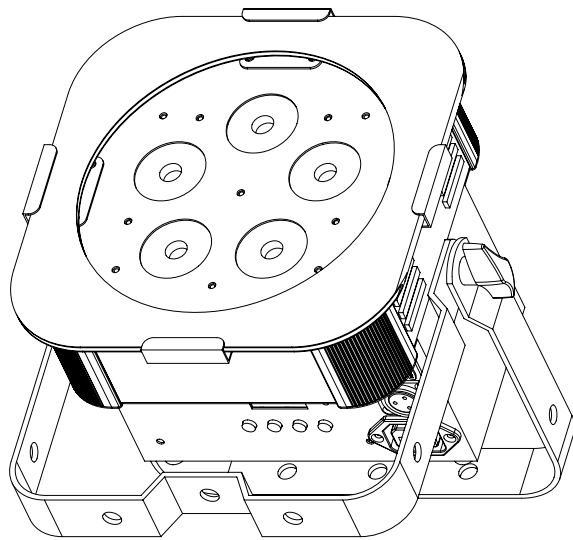




WIFLY PAR QA5



User Instructions



©2015 ADJ Products, LLC all rights reserved. Information, specifications, diagrams, images, and instructions herein are subject to change without notice. ADJ Products, LLC logo and identifying product names and numbers herein are trademarks of ADJ Products, LLC. Copyright protection claimed includes all forms and matters of copyrightable materials and information now allowed by statutory or judicial law or hereinafter granted. Product names used in this document may be trademarks or registered trademarks of their respective companies and are hereby acknowledged. All non-ADJ Products, LLC brands and product names are trademarks or registered trademarks of their respective companies.

ADJ Products, LLC and all affiliated companies hereby disclaim any and all liabilities for property, equipment, building, and electrical damages, injuries to any persons, and direct or indirect economic loss associated with the use or reliance of any information contained within this document, and/or as a result of the improper, unsafe, insufficient and negligent assembly, installation, rigging, and operation of this product.

Europe Energy Saving Notice

Energy Saving Matters (EuP 2009/125/EC)

Saving electric energy is a key to help protecting the environment. Please turn off all electrical products when they are not in use. To avoid power consumption in idle mode, disconnect all electrical equipment from power when not in use. Thank you!

WiFly Par QA5

Introduction

Unpacking: Thank you for purchasing the WiFly Par QA5 by ADJ Products, LLC. Every WiFly Par QA5 has been thoroughly tested and has been shipped in perfect operating condition. Carefully check the shipping carton for damage that may have occurred during shipping. If the carton appears to be damaged, carefully inspect your fixture for any damage and be sure all accessories necessary to operate the unit has arrived intact. In the case damage has been found or parts are missing, please contact our toll free customer support number for further instructions. Do not return this unit to your dealer without first contacting customer support.

Introduction: The WiFly Par QA5 is a rechargeable lithium battery powered, DMX intelligent, LED par fixture with ADJ's WiFly TransCeiver with wireless DMX built-in. This unit give you the freedom to set up your fixture where ever you wish without the restrictions of power or DMX cabling. The built-in battery will keep charge for up to 6 hours (full on) from a full, single charge. This fixture can be used in a stand alone mode or connected in a Primary/Secondary configuration. This wash has five operating modes: Sound Active mode, Auto mode, RGB mode, Static Color mode and DMX control mode.

Customer Support: ADJ Products, LLC provides a customer support line, to provide set up help and to answer any question should you encounter problems during your set up or initial operation. You may also visit us on the web at www.adj.com for any comments or suggestions. Service Hours are Monday through Friday 8:00 a.m. to 4:30 p.m. Pacific Standard Time.

Voice: (800) 322-6337

Fax: (323) 582-2941

E-mail: support@AmericanDJ.com

Warning! To prevent or reduce the risk of electrical shock or fire, do not expose this unit to rain or moisture.

Caution! There are no user serviceable parts inside this unit. Do not attempt any repairs yourself, doing so will void your manufactures warranty. In the unlikely event your unit may require service please contact ADJ Products, LLC.

PLEASE recycle the shipping carton when ever possible.

WiFly Par QA5

Features

- Rechargeable Lithium Battery
- Multi-Colors
- Five Operating Modes
- Electronic Dimming 0-100%
- Built in Microphone
- DMX-512 protocol
- 3-Pin & 5-Pin DMX Connection
- 8 DMX Channel Modes: 1 Channel Mode, 2 Channel Mode, 3 Channel Mode, 4 Channel Mode, 5 Channel Mode, 6 Channel Mode, 7 Channel Mode, & 8 Channel Mode
- Built-In ADJ's WiFly TransCeiver Wireless DMX
- ADJ RFC compatible (Not Included)
- Power Cord Daisy Chain (See page 15)

WiFly Par QA5

Warranty Registration

The WiFly Par QA5 carries a 2 year limited warranty. Please fill out the enclosed warranty card to validate your purchase. All returned service items whether under warranty or not, must be freight pre-paid and accompany a return authorization (R.A.) number. The R.A. number must be clearly written on the outside of the return package. A brief description of the problem as well as the R.A. number must also be written down on a piece of paper included in the shipping carton. If the unit is under warranty, you must provide a copy of your proof of purchase invoice. You may obtain a R.A. number by contacting our customer support team on our customer support number. All packages returned to the service department not displaying a R.A. number on the outside of the package will be returned to the shipper.

WiFly Par QA5

Installation

The unit should be mounted using a mounting clamp (not provided), affixing it to the mounting bracket that is provided with the unit. Always ensure that the unit is firmly fixed to avoid vibration and slipping while operating. Always ensure that the structure to which you are attaching the unit is secure and is able to support a weight of 10 times the unit's weight. Also, always use a safety cable that can hold 12 times the weight of the unit when installing the fixture. The equipment must be installed by a professional, and it must be installed in a place where it is out of the reach of people's grasp.

- To reduce the risk of electrical shock or fire, do not expose this unit rain or moisture
- Do not spill water or other liquids into or on to your unit.
- Do not attempt to operate this unit if the power cord has been frayed or broken. Do not attempt to remove or break off the ground prong from the electrical cord. This prong is used to reduce the risk of electrical shock and fire in case of an internal short.
- Disconnect from main power before making any type of connection.
- Do not remove the cover under any conditions. There are no user serviceable parts inside.
- Never operate this unit when it's cover is removed.
- Never plug this unit in to a dimmer pack
- Always be sure to mount this unit in an area that will allow proper ventilation. Allow about 6" (15cm) between this device and a wall.
- Do not attempt to operate this unit, if it becomes damaged.
- This unit is intended for indoor use only, use of this product out doors voids all warranties.
- During long periods of non-use, disconnect the unit's main power.
- Always mount this unit in safe and stable matter.
- Power-supply cords should be routed so that they are not likely to be walked on or pinched by items placed upon or against them, paying particular attention to the point they exit from the unit.
- Cleaning -The fixture should be cleaned only as recommended by the manufacturer. See page 27 for cleaning details.
- Heat -The appliance should be situated away from heat sources such as radiators, heat registers, stoves, or other appliances (including amplifiers) that produce heat.
- The fixture should be serviced by qualified service personnel when:
 - A. The power-supply cord or the plug has been damaged.
 - B. Objects have fallen, or liquid has been spilled into the appliance.
 - C. The appliance has been exposed to rain or water.
 - D. The appliance does not appear to operate normally or exhibits a marked change in performance.

CAUTION: This unit like any wireless device is highly susceptible to static electricity. Static electricity can severely damage the unit. Before touching the antenna, please ground/discharge yourself.

1. Handling of Batteries

1.1 Do Not Short Circuit the Battery

Try to never short circuit the battery. It generates a very high current which could cause the battery to overheat which may result in electrolyte gel leakage, harmful fumes, or explosion. The LIR tabs may easily short-circuit by placing them on conductive surface. A short circuit may lead to heat build up and damage of the battery. An appropriate circuitry with PCM is employed to protect accidental short circuit of the battery pack.

1.2 Mechanical shock

Dropping the unit, impact hit, bending, etc. may cause failure or shortend life of the LIR battery.

3. Other

3.1 Battery connection

- 1). Direct soldering of wire leads or devices to the battery is strictly prohibited.
- 2). Lead tabs with pre-soldered wiring shall be spot welded to the batteries. Direct soldering may cause damage of components, such as separator and insulator, by heat build up.

3.2 Prevention of short circuit within a battery pack

There is enough insulation layers between wiring and the batteries to provide extra safety protection. The battery pack is constructed in a way that no short circuit will occur which may cause smoke or fire.

3.3 Do No Disassemble the Batteries

- 1). Never disassemble the batteries.
Doing this may cause a internal short circuit in the battery, which may lead to harmful fumes, fire, explosion, or other problems.
- 2). Electrolyte Gel is harmful
Electrolyte Gel should not leak from the LIR battery. Should the electrolyte gel come into contact with the skin or eyes, flush the

area of contact immediately with fresh water and seek medical attention immediately.

3.4 Do Not Expose the Battery to Heat or Fire

Never incinerate or dispose of the batteries in fire. This may cause an explosion, which would be very dangerous.

3.5 Do Not Expose the Battery to water or liquids

Never soak/drop the batteries in liquids such as water, seawater, drinks such as soft drinks, juices, coffee or other.

3.6 Battery Replacement

For battery replacement please contact ADJ customer support (800) 322-6337.

3.7 Do Not use a damaged Battery

The battery could be damaged during shipping, caused by shock. Should the battery be found damaged, including damages to the plastic casing of the battery, deformation of the battery package, smelling of an electrolyte, or leakage of the electrolyte gel, or other, DO NOT use the battery. A battery with a odor of electrolyte or a gel leakage should be placed away from fire to avoid fire or explosion.

4. Battery Storage

When storing the battery, it should be stored at room temperature, with a charge of at least 50%. We recommend that during long periods of storage that the battery be charged every 6 months. Doing this will prolong the life of the battery and will also make sure that the battery charge does not fall below the 30% mark.

5. Other Chemical Reaction

Because batteries utilize a chemical reaction, battery performance will deteriorate over time even if stored for a long period of time without being used. In addition, if the various usage conditions such as charge, discharge, ambient temperature, etc. are not maintained within the specified ranges, the

life expectancy of the battery maybe shortened or the device in which the battery is used may be damaged by electrolyte gel leakage. If the batteries cannot maintain a charge for long periods of time, even when they are charged correctly, this may indicate it is time to change the battery.

6. Battery Disposal

Please dispose of battery according to local regulations.

Power Supply: The ADJ WiFly Par QA5 contains a automatic voltage switch, which will auto sense the voltage when it is plugged into the power source. With this switch there is no need to worry about the correct power voltage, this unit can be plugged in anywhere.

DMX-512: DMX is short for Digital Multiplex. This is a universal protocol used as a form of communication between intelligent fixtures and controllers. A DMX controller sends DMX data instructions from the controller to the fixture. DMX data is sent as serial data that travels from fixture to fixture via the DATA “IN” and DATA “OUT” XLR terminals located on all DMX fixtures (most controllers only have a DATA “OUT” terminal).

DMX Linking: DMX is a language allowing all makes and models of different manufactures to be linked together and operate from a single controller, as long as all fixtures and the controller are DMX compliant. To ensure proper DMX data transmission, when using several DMX fixtures try to use the shortest cable path possible. The order in which fixtures are connected in a DMX line does not influence the DMX addressing. For example; a fixture assigned a DMX address of 1 may be placed anywhere in a DMX line, at the beginning, at the end, or anywhere in the middle. When a fixture is assigned a DMX address of 1, the DMX controller knows to send DATA assigned to address 1 to that unit, no matter where it is located in the DMX chain.

Data Cable (DMX Cable) Requirements (For DMX Operation):

The WiFly Par QA5 can be controlled via DMX-512 protocol. The WiFly Par QA5 has 8 DMX channel modes, please see page 12-13 for the different modes. The DMX address is set on the back panel of the WiFly Par QA5. Your unit and your DMX controller require a standard 3-pin or 5-pin XLR connector for data input and data output (Figure 1). We recommend Accu-Cable DMX cables. If you are making your own cables, be sure to use standard 110-120 Ohm shielded cable (This cable may be purchased at almost all pro lighting stores). Your cables should be made with a male and female XLR connector on either end of the cable. Also remember that DMX cable must be daisy chained and cannot be split.



Figure 1

Notice: Be sure to follow figures two and three when making your own cables. Do not use the ground lug on the XLR connector. Do not connect the cable’s shield conductor to the ground lug or allow the shield conductor to come in contact with the XLR’s outer casing. Grounding the shield could cause a short circuit and erratic behavior.

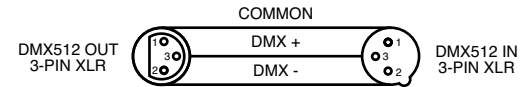


Figure 2

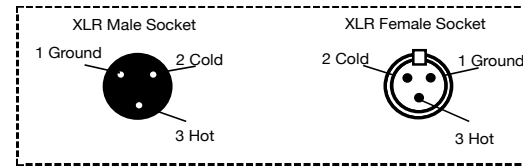


Figure 3

XLR Pin Configuration	
Pin 1 =	Ground
Pin 2 =	Data Compliment (negative)
Pin 3 =	Data True (positive)

Special Note: Line Termination. When longer runs of cable are used, you may need to use a terminator on the last unit to avoid erratic behavior. A terminator is a 110-120 ohm 1/4 watt resistor which is connected between pins 2 and 3 of a male XLR connector (DATA + and DATA -). This unit is inserted in the female XLR connector of the last unit in your daisy chain to terminate the line. Using a cable terminator (ADJ part number Z-DMX/T) will decrease the possibilities of erratic behavior.



Termination reduces signal errors and avoids signal transmission problems and interference. It is always advisable to connect a DMX terminal, (Resistance 120 Ohm 1/4 W) between PIN 2 (DMX-) and PIN 3 (DMX +) of the last fixture.

Figure 4

5-Pin XLR DMX Connectors. Some manufactures use 5-pin DMX-512 data cables for DATA transmission in place of 3-pin. 5-pin DMX fixtures may be implemented in a 3-pin DMX line. When inserting standard 5-pin data cables in to a 3-pin line a cable adaptor must be used, these adaptors are readily available at most electric stores. The chart below details a proper cable conversion.

3-Pin XLR to 5-Pin XLR Conversion		
Conductor	3-Pin XLR Female (Out)	5-Pin XLR Male (In)
Ground/Shield	Pin 1	Pin 1
Data Compliment (- signal)	Pin 2	Pin 2
Data True (+ signal)	Pin 3	Pin 3
Not Used		Do Not Use
Not Used		Do Not Use

Operating Power:

There are two ways to supply power to this unit; battery power or AC power.

- AC Power - To run the unit using AC power, plug the unit into a power source, and put the Load Switch into the ON position. When using AC power make sure the Battery Switch is in the OFF position.
- Battery Power - To run the unit using Battery power, put the Load and Battery Switches in the ON position.

LED Display On/Off:

To set the LED display to turn off after 60 seconds, press the MODE button until “don” is displayed, press the UP button to display “doff”. Now the display will disappear after 60s. Press any button to turn the display on again. Be advised though that the display will turn off automatically after 10 seconds.

To set the display press the MODE button until “dXX” is displayed. Use the UP or DOWN buttons to select either:

“don” = LED display on at all times.

“doff” = LED display shuts off after 60 seconds.

LED Display Inversion:

Follow these instructions to flip the display 180° so that the display can be read upside down.

1. Plug the fixture in and press the MODE button until “dXX” is displayed. “XX” represents either “on” or “off”.
2. Press the SET UP button until “Std” or “rev” is displayed.
3. Press the UP or DOWN buttons to reverse the display 180°.

Operating Modes:

The WiFly Par QA5 has five operating modes:

- Static Color Mode - There are 15 colors to choose from.
- RGBA Mode - Choose one of the four colors to remain static or adjust the intensity of each color to make your desired color.
- Auto Mode - There are 3 Auto Modes to choose from.
- Sound-Active mode - The unit will react to sound, chasing through the built in programs.
- DMX control mode - This function will allow you to control each individual fixtures traits with a standard DMX 512 controller.

RGBA Dimmer Mode:

1. Plug the fixture in and press the MODE button until:
2. When “r.XXX” is displayed you are in Red dimming mode. Press the UP and DOWN buttons to adjust intensity.
3. When “G.XXX” is displayed you are in Green dimming mode. Press the UP and DOWN buttons to adjust intensity.
4. When “b.XXX” is displayed you are in Blue dimming mode. Press the UP and DOWN buttons to adjust intensity.
5. When “U.XXX” is displayed you are in Amber dimming mode. Press the UP and DOWN buttons to adjust intensity.
6. After you have adjusted the RGBA colors to make your desired color you can then activate strobing by pressing the SET UP button to enter the Flash (strobe) mode.
7. “FS.XX” will be displayed, this is Flash mode. The Flash can be adjusted between “FS.00” (flash off) to “FS.15” (fastest flash).

Sound Active Mode:

In this mode the WiFly Par QA5 will react to sound, and chase through the different colors.

1. Plug the fixture in and press the MODE button until “SoXX” is displayed. “XX” represents the sound active mode (01-16) currently displayed.
2. The fixture will now change via sound.
3. Press the SET UP button to adjust the sound sensitivity. “SJ-X” should be displayed. Use the UP or DOWN buttons to adjust the sensitivity. “SJ-1” is the least sensitive, “SJ-8” is the most.

Auto Run Mode:

In this mode the WiFly Par QA5 will run a auto program. There are 3 types of Auto Run Modes to choose from; Color Fade, Color Change, and both modes running together. The running speed is adjustable in all 3 modes.

1. Plug the fixture in and press the MODE button until either “AFXX”, “AJXX”, or “A-JF” is displayed.
- AFXX = Color Fade mode, there are 16 Color Fade modes to choose from. Use the UP or DOWN buttons to scroll through the different Auto Fade modes.
- AJXX = Color Change mode, there are 16 Color Change modes to choose from. Use the UP or DOWN buttons to scroll through the

different Auto Change modes.

- A-JF = Both Color Fade and Color Change modes running.
2. After you have chosen your desired running mode press the SET UP button until “SP.XX” is displayed. When this is displayed you can adjust the running speed of your desired program. Use the UP or DOWN button to adjust the speed between “SP.01” (slowest) and “SP.16” (fastest). Once you have set your desired running speed, press the SET UP button to return to your desired Auto Run Mode.

Static Color Mode:

1. Plug the fixture in and press the MODE button until “CLXX” is displayed. “XX” represents the current color number displayed.
2. There are 15 colors to choose from. Select your desired color by pressing the UP and DOWN buttons. After you have selected your desired color you can activate strobing by pressing the SET UP button to enter the Flash (strobe) mode.
3. “FS.XX” will be displayed, this is Flash mode. The Flash can be adjusted between “FS.00” (flash off) to “FS.15” (fastest flash).

DMX Mode:

Operating through a DMX controller gives the user the freedom to create their own programs tailored to their own individual needs. This function also allows you to use your fixtures as spot lights. The WiFLY Par QA5 has 8 DMX modes: 1 Channel mode, 2 Channel mode, 3 Channel mode, 4 Channel mode, 5 Channel mode, 6 Channel mode, 7 Channel mode, and a 8 Channel mode. See pages 18-23 for each modes’ DMX traits.

1. This function will allow you to control each individual fixture’s traits with a standard DMX 512 controller.
2. To run your fixture in DMX mode press the MODE button until “d.XXX” is displayed. “XXX” represents the current displayed address. Use the UP or DOWN buttons to select your desired DMX address. then press the SET UP button to select your DMX Channel mode.
3. When you press SET UP “ChXX” should be displayed. “XX” represent the current DMX Channel Mode.
4. Use the UP or DOWN buttons to scroll through the DMX Channel modes. The Channel modes are listed below:

To run the 1 Channel Mode, press the MODE button until “Ch01” is displayed. This is the 1 Channel DMX Mode.

To run the 2 Channel Mode, press the MODE button until “Ch02” is displayed. This is the 2 Channel DMX Mode.

To run the 3 Channel Mode, press the MODE button until “Ch03” is displayed. This is the 3 Channel DMX Mode.

To run the 4 Channel Mode, press the MODE button until “Ch04” is displayed. This is the 4 Channel DMX Mode.

To run the 5 Channel Mode, press the MODE button until “Ch05” is displayed. This is the 5 Channel DMX Mode.

To run the 6 Channel Mode, press the MODE button until “Ch06” is displayed. This is the 6 Channel DMX Mode.

To run the 7 Channel Mode, press the MODE button until “Ch07” is displayed. This is the 7 Channel DMX Mode.

To run the 8 Channel Mode, press the MODE button until “Ch08” is displayed. This is the 8 Channel DMX Mode.

5. Please see pages 18-23 for DMX values and traits.
6. After you have chosen your desired DMX Channel mode plug in the fixture via the XLR connections to any standard DMX controller.

Battery Life:

This menu is used to check/display the battery life.

1. Plug the fixture in and press the MODE button until “bXXX” is displayed. “XXX” represents a number between 0-100. The number that is displayed is the remaining battery life. If “b---” is displayed, it means either the battery is dead or your running the unit on AC power.

Default Running Mode:

This is a default running mode. When this mode is activated all modes will return to their default settings.

1. Plug the fixture in and press the MODE button until “dXX” is displayed. “XX” represents either “on” or “oFF”.
2. Press the SET UP button until “dEFA” is displayed.
3. Press the UP and DOWN buttons simultaneously. Press the MODE button to exit.

ADJ RFC:

This function is used to activate and deactivate the ADJ RFC (Remote Control). When this function is activated you can control the fixture using the ADJ RFC. Please see the next page for ADJ RFC controls and functions.

1. Plug the fixture in and press the MODE button until “dXX” is displayed.
2. Press the SET UP button until “rFXX” is displayed. “XX” represents either “on” or “oF”.
3. Press the UP or DOWN buttons to either activate the remote function (On) or deactivate it (Off).

WiFLY Address:

This function is used to set the WiFly address. This address must match the address that is set to WiFly TransCeiver or WiFly controller.

1. Plug the fixture in and press the MODE button until “rCXX” is displayed. “XX” represents a number between 00-14.
2. Press the UP or DOWN buttons to either activate the remote function (On) or deactivate it (Off).

DMX State:

This mode can be used as a precaution mode, that in case the DMX signal is lost, the operating mode chosen in the setup is the running mode the fixture will go into when the DMX signal is lost. You can also set this as the operating mode you would like the unit to return to when power is applied.

1. Plug the fixture in and press the MODE button until “d.XXX” is displayed. “XXX” represents the current displayed DMX address.
2. Press the SET UP button so that “nodn” is displayed. Use the UP and DOWN buttons to scroll through the DMX states.
 - “bLAC” (Blackout) - If the DMX signal is lost or interrupted, the unit will automatically go into stand by mode.
 - “LAST” (Last State) - If the DMX signal is lost or interrupted, the fixture will stay in the last DMX set up. If power is applied and this mode is set, the unit will automatically go into the last DMX set up.
 - “ProG” (Auto Run) - If the DMX signal is lost or interrupted, the unit will automatically go into Auto Run mode.
3. Use the UP and DOWN buttons to find your desired DMX state

and press SET UP to confirm and exit.

Dimmer Curve Setting:

1. Plug the fixture in and press the MODE button until “d.XXX” is displayed. Now press the SET UP button until “dr-X” is displayed, “X” representing a number between 0-4.
2. There are 5 dimmer curve settings to choose from. Please see the Dimmer Curve Diagram Chart on page 25 to see the settings and their respective beginning and ending fade times.

Primary-Secondary Configuration:

This function will allow you to link units together to run in a Primary-Secondary setup. In a Primary-Secondary set up one unit will act as the controlling unit and the others will react to the controlling units built-in programs. Any unit can act as a Primary or as a Secondary however, only one unit can be programmed to act as the “Primary.”

Primary-Secondary Connections and Settings:

1. Daisy chain your units via the XLR connector on the rear of the unit. Use standard XLR data cables to link your units together. Remember that the Male XLR connector is the input and the Female XLR connector is the output. The first unit in the chain (primary) will use the female XLR connector only. The last unit in the chain will use the male XLR connector only.
2. Set the “Primary” unit to your desired mode of operation.
3. On the “Secondary” units press the MODE button until “SLAu” is displayed. The unit is now set as the “SEC” unit. Each secondary unit must be set to the same setting.
4. Connect the first “Secondary” unit to the “Primary”, and the “Secondary” unit should now start follow the

With this feature you can connect the fixtures to one another using the IEC input and output sockets. The quantity that can be connected is 10 fixtures maximum. After 10 fixtures you will need to use a new power outlet. They must be the same fixtures. DO NOT mix fixtures.

NOTE: Fixtures cannot be power cord daisy chained and run by battery power.

WiFly Par QA5

WiFly Set Up

With this feature you are able to control the unit with DMX without the need of XLR cables. Your DMX controller must be connected to a ADJ WiFly Transceiver to use this function. You are able to communicate up to 2500 feet/760 meters (open line of sight).

NOTE: The ADJ RFC control must be set to OFF to use this function. See page 14 to turn OFF ADJ RFC.

1. Turn on the WiFly function using the WiFly On/Off switch and set the antenna to either a up position or down position.
2. Follow the instructions on page 14 to set the Wireless address. The address must match the address set on the WiFly Transceiver.
3. After you have set the WiFly address, follow the DMX instructions on pages 12-13 to select your desired DMX Channel mode and set your DMX address.
4. Apply power to the ADJ WiFly Transceiver. The fixture must be set up first before you apply power to WiFly Transceiver.
5. If everything is set up properly and the fixture is receiving a Wireless signal, Wireless status LED next to LED screen will glow green.

Note: If the sync does not work, switch the WiFly power off then on again.

WiFly Par QA5

WiFly Primary-Secondary Set Up

This feature will let you link units to run in a primary-secondary mode without the use of XLR cables.

NOTE: The ADJ RFC control must be set to OFF on all the units to use this function. See page 14 to turn OFF ADJ RFC.

1. Follow the instructions on page 14 to set the Wireless address. The addresses on each fixture must be the same.
2. After you have set the WiFly address, select your primary unit and set your desired operating mode.
3. Put the antenna in either a up position or down position then turn the WiFly On, using the WiFly power switch.

Note: All antennas must be in the same position, they must either be all up or all down, but never at an angle.

4. For the Secondary units, put the unit in Secondary mode. See page 15 Primary-Secondary configuration when setting the unit as a Secondary. Then switch ON the WiFly power switch.
5. If everything is set up correctly, the Primary units WiFly status LED will glow orange, and the secondary units Wireless status LED will glow green.

NOTE: If they do not sync up primary-secondary, switch the Primary fixtures WiFly power switch off then on again.

WiFly Par QA5

ADJ RFC Operation

The **ADJ RFC** remote (sold separately) has many different functions and allows you to control your WiFly Par QA5 from long distance. The **ADJ RFC** remote can control your system up to 150 ft. To use the RFC you must first activate the fixtures receiver, to activate the receiver please see the instructions on page 14.

BLACKOUT - Pressing this button will blackout the fixture. Press this button for more then 3 seconds to return to default settings.

AUTO RUN - This button will run an automatic program. There are 3 Auto Run programs to choose from. Each press of the button will switch between the different modes. You can control the speed of the Auto Run modes by pressing the SPEED button and then pressing the “+” and “-” buttons.

• AFXX = Color Fade mode, there are 16 Color Fade modes to choose from. Use the UP or DOWN buttons to scroll through the different Auto Fade modes.

• AJXX = Color Change mode, there are 16 Color Change modes to choose from. Use the UP or DOWN buttons to scroll through the different Auto Change modes.

• A-JF = Both Color Fade and Color Change modes running.

PROGRAM SELECTION - This button will activate Static Color mode. Use the “+” or “-” to scroll through the 15 colors. Once you have found your color, you can press the FLASH button to activate strobing and use the “+” or “-” to adjust the Flash rate.

FLASH - This button will activate the flash (strobe) effect. You can control the flash speed by pressing the “+” and “-” buttons.

SPEED - Press this button and use the “+” & “-” buttons to adjust the speed of the Auto run mode.

SOUND ACTIVE - This button activates sound active mode. Use the “+” or “-” to choose from 1 of 16 sound active modes. Press this button again to enter sound sensitivity adjustment. Use the “+” or “-” buttons to adjust the sound sensitivity.

R G B W/A - Press either one of these buttons and then press the “+” or “-” to adjust the brightness. Press the FLASH button to activate strobing and use the “+” or “-” to adjust the Flash rate.

“+” and “-” - Use these buttons to adjust the flash rate, speed of the Auto Run mode, Auto Run program selection, sound sensitivity, and color select.

WiFLY Par QA5 1 Channel - DMX Values & Functions		
Channel	Value	Function
1	0 - 15	COLOR MACROS OFF
	16 - 31	RED
	32 - 47	GREEN
	48 - 63	BLUE
	64 - 79	AMBER
	80 - 95	RED & GREEN
	96 - 111	RED & BLUE
	112 - 127	RED & AMBER
	128 - 143	GREEN & BLUE
	144 - 159	GREEN & AMBER
	160 - 175	BLUE & AMBER
	176 - 191	RED & GREEN & BLUE
	192 - 207	RED & GREEN & AMBER
	208 - 223	RED & BLUE & AMBER
	224 - 239	GREEN & BLUE & AMBER
	240 - 255	RED & GREEN & BLUE & AMBER

WiFLY Par QA5 2 Channel - DMX Values & Functions		
Channel	Value	Function
1	0 - 255	COLOR MACROS (See 1 Channel DMX mode for colors)
2	0 - 255	MASTER DIMMER 0% - 100%

WiFLY Par QA5 3 Channel - DMX Values & Functions		
Channel	Value	Function
1	0 - 255	COLOR MACROS (See 1 Channel DMX mode for colors)
2	0 - 255	MASTER DIMMER 0% - 100%
3	0 - 15	STROBING OFF
	16 - 255	STROBING SLOW - FAST

WiFLY Par QA5 4 Channel - DMX Values & Functions		
Channel	Value	Function
1	0 - 255	RED 0% - 100%
2	0 - 255	GREEN 0% - 100%
3	0 - 255	BLUE 0% - 100%
4	0 - 255	AMBER 0% - 100%

WiFLY Par QA5 5 Channel - DMX Values & Functions		
Channel	Value	Function
1	0 - 255	RED 0% - 100%
2	0 - 255	GREEN 0% - 100%
3	0 - 255	BLUE 0% - 100%
4	0 - 255	AMBER 0% - 100%
5	0 - 255	MASTER DIMMER 0% - 100%

WiFLY Par QA5 6 Channel - DMX Values & Functions		
Channel	Value	Function
1	0 - 255	RED 0% - 100%
2	0 - 255	GREEN 0% - 100%
3	0 - 255	BLUE 0% - 100%
4	0 - 255	AMBER 0% - 100%
5	0 - 255	MASTER DIMMER 0% - 100%
6	0 - 255	COLOR MACROS (See 1 Channel DMX mode for colors)

Channels 1, 2, 3, and 4 will not work, when Channel 6 is being used.

WiFLY Par QA5 7 Channel - DMX Values & Functions		
Channel	Value	Function
1	0 - 255	RED 0% - 100%
2	0 - 255	GREEN 0% - 100%
3	0 - 255	BLUE 0% - 100%
4	0 - 255	AMBER 0% - 100%
5	0 - 255	MASTER DIMMER 0% - 100%
6	0 - 15 16 - 255	STROBING OFF STROBING SLOW - FAST
7	0 - 255	COLOR MACROS (See 1 Channel DMX mode for colors)

Channels 1, 2, 3, and 4 will not work, when Channel 7 is being used.

WiFLY Par QA5 8 Channel - DMX Values & Functions		
Channel	Value	Function
1	0 - 255	RED 0% - 100%
2	0 - 255	GREEN 0% - 100%
3	0 - 255	BLUE 0% - 100%
4	0 - 255	AMBER 0% - 100%
5	0 - 255	MASTER DIMMER 0% - 100%
6	0 - 15 16 - 255 0 - 255 0 - 31 32 - 255	STROBING/PROGRAM SPEED/ SOUND SENSITIVITY <hr/> NO FUNCTION STROBING SLOW - FAST SPEED CONTROL SLOW - FAST SOUND SENSITIVITY NO FUNCTION LEAST SENSITIVE - MOST SENSITIVE
7	0 - 51 52 - 102 103 - 153 154 - 204 205 - 255	PROGRAM SELECTION MODE DIMMING MODE COLOR MACRO MODE COLOR CHANGE MODE COLOR FADE MODE SOUND ACTIVE MODE
8	0 - 255 0 - 15 16 - 31 32 - 47 48 - 63	COLOR MACROS/PROGRAMS/ SOUND ACTIVITY <hr/> COLOR MACRO MODE (See 1 Channel DMX mode for colors) COLOR CHANGE MODE COLOR CHANGE 1 COLOR CHANGE 2 COLOR CHANGE 3 COLOR CHANGE 4

WiFLY Par QA5		8 Channel - DMX Values & Functions
Channel	Value	Function
8		<u>COLOR CHANGE MODE CONT.</u>
	64 - 79	COLOR CHANGE 5
	80 - 95	COLOR CHANGE 6
	96 - 111	COLOR CHANGE 7
	112 - 127	COLOR CHANGE 8
	128 - 143	COLOR CHANGE 9
	144 - 159	COLOR CHANGE 10
	160 - 175	COLOR CHANGE 11
	176 - 191	COLOR CHANGE 12
	192 - 207	COLOR CHANGE 13
	208 - 223	COLOR CHANGE 14
	224 - 239	COLOR CHANGE 15
	240 - 255	COLOR CHANGE 16
		<u>COLOR FADE MODE</u>
	0 - 15	COLOR FADE 1
	16 - 31	COLOR FADE 2
	32 - 47	COLOR FADE 3
	48 - 63	COLOR FADE 4
	64 - 79	COLOR FADE 5
	80 - 95	COLOR FADE 6
	96 - 111	COLOR FADE 7
	112 - 127	COLOR FADE 8
	128 - 143	COLOR FADE 9
	144 - 159	COLOR FADE 10
	160 - 175	COLOR FADE 11
	176 - 191	COLOR FADE 12
	192 - 207	COLOR FADE 13
	208 - 223	COLOR FADE 14
224 - 239	COLOR FADE 15	
240 - 255	COLOR FADE 16	
	<u>SOUND ACTIVE MODE</u>	
0 - 15	SOUND ACTIVE MODE 1	
16 - 31	SOUND ACTIVE MODE 2	

WiFLY Par QA5		8 Channel - DMX Values & Functions
Channel	Value	Function
8		<u>SOUND ACTIVE MODE CONT.</u>
	32 - 47	SOUND ACTIVE MODE 3
	48 - 63	SOUND ACTIVE MODE 4
	64 - 79	SOUND ACTIVE MODE 5
	80 - 95	SOUND ACTIVE MODE 6
	96 - 111	SOUND ACTIVE MODE 7
	112 - 127	SOUND ACTIVE MODE 8
	128 - 143	SOUND ACTIVE MODE 9
	144 - 159	SOUND ACTIVE MODE 10
	160 - 175	SOUND ACTIVE MODE 11
	176 - 191	SOUND ACTIVE MODE 12
	192 - 207	SOUND ACTIVE MODE 13
	208 - 223	SOUND ACTIVE MODE 14
	224 - 239	SOUND ACTIVE MODE 15
	240 - 255	SOUND ACTIVE MODE 16

When Channel 7 is between the values of 0-51, Channels 1-4 are used, and Channel 6 will control strobing.

When Channel 7 is between the values of 52-102, Channel 8 is in Color Macros Mode, and Channel 6 will control strobing.

When Channel 7 is between the values of 103-153, Channel 8 is in Color Change Mode, and Channel 6 will control the color change speed.

When Channel 7 is between the values of 154-204, Channel 8 is in Color Fade Mode, and Channel 6 will control the color fade speed.

When Channel 7 is between the values of 205-255, Channel 8 is in Sound Active Mode, and Channel 6 will control the sound sensitivity.

Battery Status:

This function is used to check the life status of the battery. Plug the fixture in and press the MODE button until “bXXX” is displayed. “XXX” represents an number between “000” and “100”. The number that is displayed is the remaining battery life. If “b---” is displayed, it means the battery is dead or you are running the unit on AC power. **Please do not let the battery fully die, this severely shortens the life of the battery.**

Example: If “b050” is displayed, the battery is at half life. If “b025” is displayed, the battery is at 25% life.

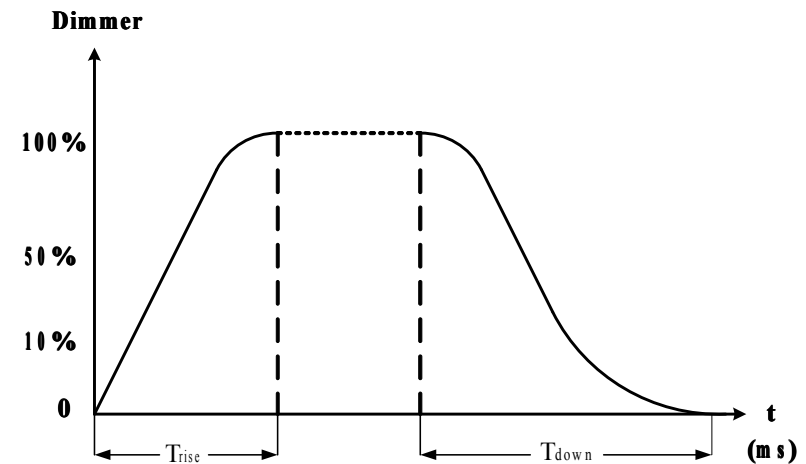
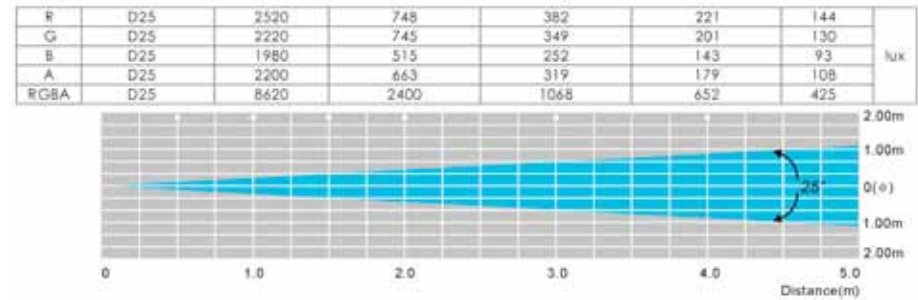
NOTE: When the battery is charging or if the battery life is below 30% the digital display will flash.

NOTE: After 20 seconds of inactivity, the display will revert back to the battery life display.

Battery Recharge: To recharge the battery, plug the supplied AC cord into the AC input on the side of the unit and plug the other end into a matching power supply. It takes about 9 hours to reach full charge. **The display will STOP flashing when the unit reaches 100% charge.**

Note: When unplugging the unit from charging and then applying power via battery, there will be a minimal charge drop.

For a faster recharge, put the Load Switch in the “Off” position and the Battery Switch in the “ON” position.



DMX delay	Trise(ms)	Tdown(ms)
Delay mode		
dr-0	0	0
dr-1	800	1300
dr-2	1010	1560
dr-3	1200	1950
dr-4	1280	2600

WiFly Par QA5

Battery Replacement



1. Unplug the unit from any power source, and turn both switches off. Unscrew the four thumbscrews that hold the battery door in place.

2. Remove the battery door to access the battery.



3. Carefully remove the battery from the compartment.

4. Carefully pull out the battery connector cables.



5. Carefully disconnect the battery cables.

6. Once the cables have been disconnected you can now connect your new battery. Put everything back together in reverse order. After you have changed the battery, please see the next page to initialize the unit.

WiFly Par QA5

Initialize the Unit

After replacing either the PCB or the battery, you must perform the following steps to initialize the unit. If the unit is not initialized after replacing either of these parts, the unit battery life will be inaccurate in future use.

1. Make sure the unit is unplugged from any power source. Switch OFF the BATTERY switch and switch ON the LOAD switch. Simultaneously, press the MODE, SET UP, UP, & DOWN buttons.

2. While pressing these buttons, plug the unit into an AC power source. The unit should display “-002”. Simultaneously release all four buttons. The unit should display that last running mode. This indicates that the unit has entered initialization mode successfully.

Note: When the four buttons have not been pressed simultaneously, and then you release the buttons, 1 of 2 situations will occur which will let you know that you have not entered the initialization mode successfully.

1. When plugging the unit into a power source, the display reads “1234”. You have not entered the initialization mode.

2. When plugging the unit into a power source, the display reads “-002”, but when you release the buttons simultaneously, the display reads “StAr”, instead of the last running mode. You have not entered the initialization mode.

3. After you have started the initialization mode, switch LOAD switch to OFF and switch ON the battery switch. Doing this will fast charge the battery to full status. Once you have reached full charge the display will show “b100”.

4. Unplug the power cord and switch ON the LOAD switch. Set the unit to Static Color mode. Use the UP or DOWN buttons so that the display shows “CL 15” (RGBA color full on) to fast discharge the battery. Discharge the battery so that the display shows “b000”. This means the battery charge is gone. The unit has now been initialized successfully. Go ahead and recharge your battery.

WiFly Par QA5

Modify the Battery Capacity

After replacing either the PCB or the battery, you must perform the following steps to initialize the unit. If the unit is not initialized after replacing either of these parts, the unit battery life will be inaccurate in future use.

1. Make sure the unit is unplugged from any power source. Switch OFF the BATTERY switch and switch ON the LOAD switch. Press and hold the DOWN button.
2. While pressing the DOWN button, plug the unit into an AC power source. The unit should display “-002”. Release the DOWN button, and the unit displays “StAr”.
3. Simultaneously press the UP & DOWN buttons and release them. “-rUn” should be displayed. This indicates that the unit has entered the battery capacity modification mode successfully. All LEDs will be off.
4. Switch ON the battery switch to charge the battery.

Note: Do not unplug the power cord during charging, otherwise the unit's battery life display will be inaccurate in future use. All buttons will be useless during charge time.

3. When the LEDs are full on, the battery has reached its full charge. Unplug the power cord immediately, and LEDs will stay full on in this status. The battery will begin to discharge.
4. Unplug the power cord and switch ON the LOAD switch. Set the unit to Static Color mode. Use the UP or DOWN buttons so that the display shows “CL 15” (RGBA color full on) to fast discharge the battery. Discharge the battery so that the display shows “b000”. This means the battery charge is gone. The unit has now been initialized successfully. Go ahead and recharge your battery.

WiFly Par QA5

Fuse Replacement

Disconnect the unit from its power source. Remove the power cord from the unit. Once the cord has been removed, you will find that the fuse holder is located inside the power socket. Insert a flat-head screw driver into the power socket and gently pry out the fuse holder. Remove the bad fuse and replace with a new one. The fuse holder also has a holder for a spare fuse.

WiFly Par QA5

Trouble Shooting

Listed below are a few common problems the user may encounter, with solutions.

Unit not responding to DMX:

1. Check that the DMX cables are connected properly and are wired correctly (pin 3 is “hot”; on some other DMX devices pin 2 may be ‘hot’). Also, check that all cables are connected to the right connectors; it does matter which way the inputs and outputs are connected.

Unit does not respond to sound:

1. Quiet or high pitched sounds will not activate the unit.
2. Make sure that Sound Active mode is activated.

WiFly Par QA5

Cleaning

Due to fog residue, smoke, and dust cleaning the internal and external optical lenses must be carried out periodically to optimize light output.

1. Use normal glass cleaner and a soft cloth to wipe down the outside casing.
2. Clean the external optics with glass cleaner and a soft cloth every 20 days.
3. Always be sure to dry all parts completely before plugging the unit back in.

Cleaning frequency depends on the environment in which the fixture operates (i.e. smoke, fog residue, dust, dew).

WiFly Par QA5

Warranty

MANUFACTURER'S LIMITED WARRANTY

- A. ADJ Products, LLC hereby warrants, to the original purchaser, ADJ Products, LLC products to be free of manufacturing defects in material and workmanship for a prescribed period from the date of purchase (see specific warranty period on reverse). This warranty shall be valid only if the product is purchased within the United States of America, including possessions and territories. It is the owner's responsibility to establish the date and place of purchase by acceptable evidence, at the time service is sought.
- B. For warranty service you must obtain a Return Authorization number (RA#) before sending back the product—please contact ADJ Products, LLC Service Department at 800-322-6337. Send the product only to the ADJ Products, LLC factory. All shipping charges must be pre-paid. If the requested repairs or service (including parts replacement) are within the terms of this warranty, ADJ Products, LLC will pay return shipping charges only to a designated point within the United States. If the entire instrument is sent, it must be shipped in its original package. No accessories should be shipped with the product. If any accessories are shipped with the product, ADJ Products, LLC shall have no liability whatsoever for loss of or damage to any such accessories, nor for the safe return thereof.
- C. This warranty is void if the serial number has been altered or removed; if the product is modified in any manner which ADJ Products, LLC concludes, after inspection, affects the reliability of the product; if the product has been repaired or serviced by anyone other than the ADJ Products, LLC factory unless prior written authorization was issued to purchaser by ADJ Products, LLC; if the product is damaged because not properly maintained as set forth in the instruction manual.
- D. This is not a service contract, and this warranty does not include maintenance, cleaning or periodic check up. During the period specified above, ADJ Products, LLC will replace defective parts at its expense with new or refurbished parts, and will absorb all expenses for warranty service and repair labor by reason of defects in material or workmanship. The sole responsibility of ADJ Products, LLC under this warranty shall be limited to the repair of the product, or replacement thereof, including parts, at the sole discretion of ADJ Products, LLC. All products covered by this warranty were manufactured after August 15, 2012, and bear indentifying marks to that effect.
- E. ADJ Products, LLC reserves the right to make changes in design and/or improvements upon its products without any obligation to include these changes in any products theretofore manufactured.

No warranty, whether expressed or implied, is given or made with respect to any accessory supplied with products described above. Except to the extent prohibited by applicable law, all implied warranties made by ADJ Products, LLC in connection with this product, including warranties of merchantability or fitness, are limited in duration to the warranty period set forth above. And no warranties, whether expressed or implied, including warranties of merchantability or fitness, shall apply to this product after said period has expired. The consumer's and/or Dealer's sole remedy shall be such repair or replacement as is expressly provided above; and under no circumstances shall ADJ Products, LLC be liable for any loss or damage, direct or consequential, arising out of the use of, or inability to use, this product.

This warranty is the only written warranty applicable to ADJ Products, LLC Products and supersedes all prior warranties and written descriptions of warranty terms and conditions heretofore published.

MANUFACTURER'S LIMITED WARRANTY PERIODS:

- **Lighting Products = 1-year (365 days) Limited Warranty** (Such as: Special Effect Lighting, Intelligent Lighting, UV lighting, Strobes, Fog Machines, Bubble Machines, Mirror Balls, Par Cans, Trussing, Lighting Stands etc. excluding LED and lamps)
- **Laser Products = 1 Year (365 Days) Limited Warranty** (excluding laser diodes which have a 6 month limited warranty)
- **L.E.D. Products = 2-year (730 days) Limited Warranty** (excluding motors, PCB boards, and power supplies, which have a 1-year (365 day Limited Warranty) batteries which have a 180 day limited warranty). Only the L.E.D.s carry a 2-year warranty (excluding StarTec Series which carries a 1 Year Limited Warranty) **Note: 2 Year Warranty only applies to purchases within the United States.**
- **ADJ DMX Controllers = 2 Year (730 Days) Limited Warranty** (excluding faders and tact switches)

ADJ Products, LLC - www.adj.com - WiFly Par QA5 User Manual Page 30

WiFLY Par QA5

Specifications

Model: WiFLY Par QA5

Voltage:	100V ~ 240V/50~60Hz
Battery Life:	6 Hours Full On (Full Charge)
Battery Lifetime*:	Average Lifetime is 500 Charges
LEDs:	5 x 5W Quad LEDs (RGBA 4-in-1)
Beam Angle:	25 Degrees
Working Position:	Any safe working position
Power Draw:	58W
Power Cord Daisy Chain:	10 Fixtures Max.
Fuse:	2 Amp
Weight:	10lbs./ 4.2Kgs.
Dimensions:	10.5" (L) x 9.5" (W) x 6.5" (H) 265 x 240 x 164mm
Colors:	RGBA Color Mixing
DMX Channels:	8 DMX Modes: 1 Channel Mode, 2 Channel Mode, 3 Channel Mode, 4 Channel Mode, 5 Channel Mode, 6 Channel Mode, 7 Channel Mode, & 8 Channel Mode
Warranty**:	2 Year (730 days) Limited Warranty

* This depends on charging frequency

** See Warranty page for more details

Auto Sensing Voltage: This fixture contains a automatic voltage switch, which will auto sense the voltage when it is plugged into the power source.

Please Note: Specifications and improvements in the design of this unit and this manual are subject to change without any prior written notice.

ADJ Products, LLC
6122 S. Eastern Ave. Los Angeles, CA 90040 USA
Tel: 323-582-2650 / Fax: 323-725-6100
Web: www.adj.com / E-mail: info@americandj.com

A.D.J. Supply Europe B.V.
Junostraat 2
6468 EW Kerkrade
The Netherlands

Follow Us On:



facebook.com/americandj
twitter.com/americandj
youtube.com/adjlighting

service@adjgroup.eu / www.adj.eu
Tel: +31 45 546 85 00 / Fax: +31 45 546 85 99