

### Features

LED Type- Cree XPE 2	Fast Service Design
LED Hours- 50,000	Modular Construction
Custom Integrated Lens	Indigo Backlighter LED's
High Contrast Beams	Pan- 630°
Beam Angle- 10°	Tilt- 270°
7 Modules with Discreet Control	Ultra Fast Pan and Tilt Movement
6 Moving Modules- 36 Degrees X/Y Movement	Max Speed Pan- 360° (seconds)- 2.13
Onboard Dynamic Macros	Max Speed Tilt- 252° (seconds)- 1.63
Environment Fan Control	Pan and Tilt Locks
Electronic Cooling System Control	Integrated Yoke Arm Handles- (C1 & W1 Only)
Control Options- DMX 512/RDM	Full Color LCD Display W/ Battery Mode
Enhanced and Reduced Protocols	3-Pin, 5-Pin Male and Female XLR Connectors
• DMX Channels- 28- Standard, 79- Enhanced	Powercon Connector
• Fixtures Per Universe- 18- Standard, 6- Enhanced	Road Case Included

### Optical

**C1**

Lumens\* - 24,000  
RGB LED's- 126 Total (42 of Each)  
Zoom- 12° - 59°

**W1**

Lumens- 27,000^  
White LED's- 126 Total  
Zoom- 12° - 59°  
Color Temperature- 6500K

**C2**

Lumens\* - 12,000  
RGB LED's- 63 Total (21 of Each)  
Zoom- 15° - 58°

**W2**

Lumens- 13,500^  
White LED's- 63 Total  
Zoom- 15° - 58°  
Color Temperature- 6500K



\*Calculated by comparing the combined energy levels of SHAPESHIFTER WRGBCMY to a theatrical metal halide color changing fixture and creating a factor.

^Calculated by three points. (center, middle and edge)

**C1**

**W1**

### Electrical

**C2**

**W2**

Fixture Rated Power- 700W

Input Power Rating- AC 100V - 240V 50/60 Hz

7-3 Amps

Auto Switching Power Supply

Max Power Consumption at 0%- 122W

Max Power Consumption at 50%- 218W

Max Power Consumption at 100%- 520W

Fixture Rated Power- 360W

Input Power Rating- AC 100V - 240V 50/60 Hz

3.5-1.5 Amps

Auto Switching Power Supply

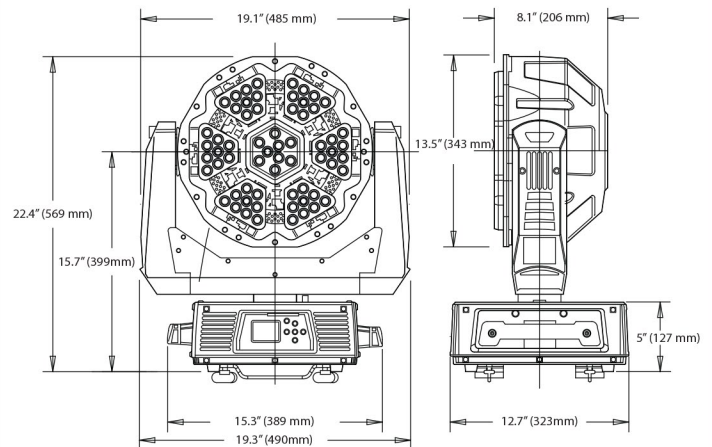
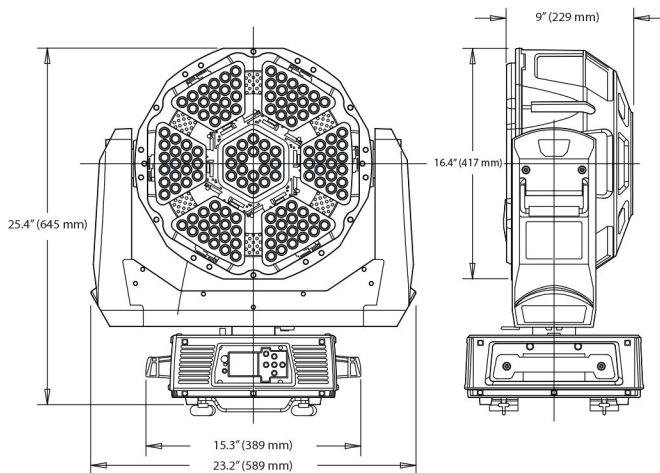
Max Power Consumption at 0%- 96W

Max Power Consumption at 50%- 142W

Max Power Consumption at 100%- 300W

### Dimensions / Physical

#### Fixture Dimensions



Fixture Weight- 27 Kg (60 Lbs.)

Road Case Gross / Shipping Weight- 61 Kg (134 Lbs.)

Road Case- Single Fixture Case (Two Models)

Road Case Dimensions- (L x W x H)-

Top Load Model-

• 660 mm (26 in.) x 540 mm (21.3 in.) x 905 mm (35.7 in.)

Side Load Model-

• 660 mm (26 in.) x 584 mm (23 in.) x 787 mm (31 in.)

Minimum Distance to Flammable Objects- 2m (6.56 ft)

Minimum Distance to Lighted Objects- 2m (6.56 ft.)

Fixture Weight- 20.4 Kg (45 Lbs.)

Road Case Gross / Shipping Weight- 88.4 Kg (195 Lbs.)

Road Case- Dual Fixture Case

Road Case Dimensions- (L x W x H)-

• 940 mm (37 in.) x 584 mm (23 in.) x 762 mm (30 in.)

Minimum Distance to Flammable Objects- 1m (3.28 ft)

Minimum Distance to Lighted Objects- 1m (3.28ft.)

Operating Temperature- 0 - 45°C (32 - 113°F) (All Models)

Storage Temperature- 20 - 60°C (0 - 140°F)

#### Mounting Options-

The fixtureS can be truss mounted using 1/4 camlock C-clamp mounting brackets. It can also stand upright on a stable surface.

Available Colors- Black  
HES PN- H7010010 SHAPESHIFTER C1  
HES PN- H7010012 SHAPESHIFTER C2

Compliance Approvals- CE, ETL



Available Colors- Black  
HES PN- H7010011 SHAPESHIFTER W1  
HES PN- H7010013 SHAPESHIFTER W2

Compliance Approvals- CE, ETL