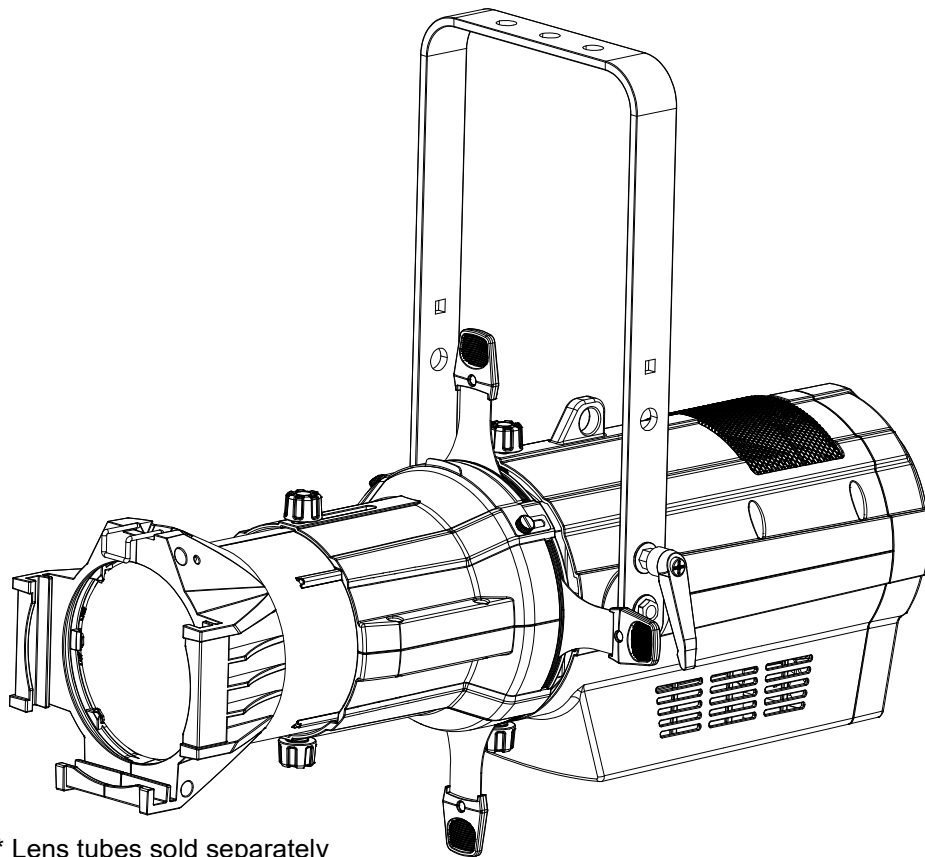


OVATION

E-910FC

Quick Reference Guide

English	EN
Español	ES
Français	FR
Deutsch	DE
Nederlands	NL



* Lens tubes sold separately

Model ID: OVATIONE910FC


CHAUVET
PROFESSIONAL

About This Guide

The Ovation E-910FC Quick Reference Guide (QRG) has basic product information such as connection, mounting, menu options, and DMX values. Download the User Manual from www.chauvetprofessional.com for more details.

Disclaimer

The information and specifications contained in this QRG are subject to change without notice.

LIMITED WARRANTY

FOR WARRANTY REGISTRATION AND COMPLETE TERMS AND CONDITIONS PLEASE VISIT OUR WEBSITE.

For Customers in the United States and Mexico: www.chauvetlighting.com/warranty-registration.

For Customers in the United Kingdom, Republic of Ireland, Belgium, the Netherlands, Luxembourg, France, and Germany: www.chauvetlighting.eu/warranty-registration/.

Chauvet warrants that this product shall be free from defects in material and workmanship under normal use, for the period specified in and subject to the exclusions and limitations set forth in, the full limited warranty on our website. This warranty extends only to the original purchaser of the product and is not transferable. To exercise rights under this warranty, the customer must provide proof of purchase in the form of an original sales receipt from an authorized dealer that shows the product name and date of purchase. THERE ARE NO OTHER EXPRESS OR IMPLIED WARRANTIES. This warranty gives the customer specific legal rights. The customer may also have other rights that vary from state to state and country to country. This warranty is valid only in the United States, United Kingdom, Republic of Ireland, Belgium, the Netherlands, Luxembourg, France, Germany and Mexico. For warranty terms in other countries, please consult a local distributor.

Safety Notes

- The luminaire should be positioned so that prolonged staring into the luminaire at a distance closer than 3.0 m is not expected.
- If the external flexible cable or cord of this luminaire is damaged, it shall be replaced by a special cord or cord exclusively available from the manufacturer or his service agent.
- The light source contained in this luminaire shall only be replaced by the manufacturer or his service agent or a similar qualified person.
- The luminaire is intended for professional use only.
- DO NOT open this product. It contains no user-serviceable parts.
- DO NOT look at the light source when the product is on.
- DO NOT operate this product outdoors or in any location where dust, excessive heat, water, or humidity may affect it (IP20).
- DO NOT leave any flammable material within 50 cm of this product while operating or connected to power.
- DO NOT operate this product if the housing, lenses, or cables appear damaged.
- DO NOT connect this product to a dimmer or rheostat.
- CAUTION: This product's housing may be hot when lights are operating.
- CAUTION: When transferring product from extreme temperature environments, (e.g., cold truck to warm humid ballroom) condensation may form on the internal electronics of the product. To avoid causing a failure, allow product to fully acclimate to the surrounding environment before connecting it to power.
- USE a safety cable when mounting this product overhead.
- ONLY connect this product to a grounded and protected circuit.
- ONLY use the hanging/mounting bracket to carry this product.
- Mount this product in a location with adequate ventilation, at least 20 in (50 cm) from adjacent surfaces.
- To eliminate unnecessary wear and improve its lifespan, during periods of non-use completely disconnect the product from power via breaker or by unplugging it.
- In the event of a serious operating problem, stop using immediately.
- The maximum ambient temperature is 113 °F (45 °C). Do not operate this product at higher temperatures.

FCC Compliance

This device complies with Part 15 Part B of the FCC Rules. Operation is subject to the following two conditions:

1. This device may not cause harmful interference, and
2. This device must accept any interference received, including interference that may cause undesired operation.

Any changes or modifications not expressly approved by the party responsible for compliance could void the user's authority to operate the equipment.

Contact

Outside the U.S., U.K., Ireland, Benelux, France, Germany, or Mexico, contact a distributor to request support or return a product. Refer to [Contact Us](#) at the end of this QRG for contact information.

What is Included

- Ovation E-910FC
- Neutrik® powerCON® power cord
- Soft focus filter
- Quick Reference Guide

AC Power

This product has an auto-ranging power supply that can work with an input voltage range of 100–240 VAC, 50/60 Hz.

Power Linking

It is possible to link up to 6 Ovation E-910FC products at 100 V, 7 products at 120 V, 13 products at 208 V, 14 products at 230 V, or 15 products at 240 V. Never exceed this number. Power-linking cords can be purchased separately.

AC Plug

Connection	Wire (U.S.)	Wire (Europe)	Screw Color
AC Live	Black	Brown	Yellow/Brass
AC Neutral	White	Blue	Silver
AC Ground	Green/Yellow	Green/Yellow	Green



To eliminate unnecessary wear and improve its lifespan, during periods of non-use completely disconnect the product from power via breaker or by unplugging it.

Replacing the Fuse

1. Disconnect this product from power.
2. Using a Phillips-head screwdriver, unscrew the fuse holder cap from the housing.
3. Remove blown fuse and replace with a good fuse of the same type and rating.
4. Screw the fuse holder cap back in place and reconnect power.

DMX Linking

The Ovation E-910FC will work with a DMX controller using a 3- and 5-pin DMX serial connection. A DMX Primer is available from www.chauvetprofessional.com.

DMX Connection

The Ovation E-910FC uses a 3- and 5-pin DMX data connection for its DMX personalities: **1Ch, 3Ch, 5Ch, 7Ch, 10Ch, 12Ch, 13Ch, 16Ch**, and **HSV**. See the User Manual for information about connecting and configuring the product for DMX operation.

Master/Slave Connection

The Ovation E-910FC uses the DMX data connection for its master/slave mode. See the User Manual for information about how to connect and configure the product for master/slave operation.

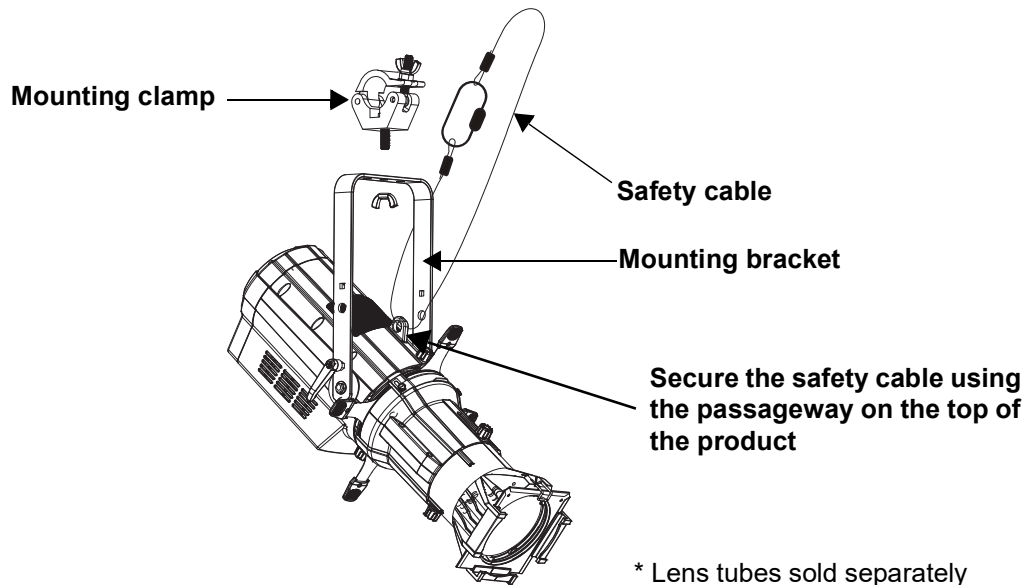
RDM (Remote Device Management)

Remote Device Management, or RDM, is a standard for allowing DMX-enabled devices to communicate bi-directionally along existing DMX cabling. Check with the manufacturer or the DMX controller’s User Manual, as not all DMX controllers have this capability. The Ovation E-910FC supports RDM protocol that allows feedback to make changes to menu map options. Download the User Manual from www.chauvetprofessional.com for more details.

Mounting

Before mounting this product, read the [Safety Notes](#). Use at least one mounting point per product. Make sure the mounting clamps can support the weight of the product. For the Chauvet line of mounting clamps, go to: <http://trusst.com/productcategory/truss-clamps/>.

Product Mounting Diagram



Overhead Mounting

Lens Tubes

The following lens tubes are available for purchase:

- 19°, 26°, 36°, and 50° with gel frame (6.25 in/159 mm accessories)
- 14°, 15–30° and 25°–50° zoom gel frame (7.5 in/191 mm accessories)

Virtual Color Wheel (VCW)

The Ovation E-910FC includes a feature called the Virtual Color Wheel (VCW). This feature is available as a standalone control mode for manual use and as a control channel in select DMX personalities. More than 30 premixed colors, custom blended by Chauvet engineers, are available to call up for easier programming.

The DMX values used to mix these colors are provided below. The overall intensity of the Ovation fixture can be adjusted to more closely replicate familiar industry-standard colors. A chart is available on www.chauvetprofessional.com to compare Chauvet's premixed colors with popular gel colors. This chart is for comparison purposes only and is not an assertion that Chauvet's premixed colors match any of the gel colors listed.

	R	G	B	A	L
C3050-Md Yellow	233	163	20	123	255
C3040-Lt Yellow	224	158	47	255	231
C3240-Amb Yellow	180	60	0	245	255
C2340-VLt Amber	245	107	81	255	213
C2040-Lt Amber	230	130	62	255	155
C2050-Md Amber	255	0	25	255	194
C2060-Dk Amber	255	0	24	255	150
C1050-Lt Red	255	37	27	30	38
C1080-Md Red	255	4	17	0	0
C1020-NC Pink	238	135	129	255	255
C1030-Md Pink	255	131	120	255	195
C1630-Dk Pink	250	165	123	255	210
C1250-Md Red Amber	255	0	41	195	55
C1060-Dk Red Amber	255	0	45	120	30
C1650-Magenta	255	50	115	255	115
C6170-Dk Magenta	255	35	117	0	0
C6020-Lt Lavender	127	122	142	251	255
C5030-Lt Blue	0	255	197	100	255
C5020-VLt Blue	158	255	189	0	255
C5430-Lt Blue2	0	255	180	0	243
C5070-Blue	43	255	210	43	36
C5050-Md Blue	0	255	218	0	181
C5060-Dk Blue	0	210	206	0	118
C5690-Indigo	65	0	210	40	55
C5080-VDk Blue	0	203	230	0	40
C5081-VdK Blue2	40	199	240	0	45
C4370-Yel Green	27	255	28	16	104
C4070-Green	49	255	55	120	90
C4550-Turquoise	60	230	109	0	245
C4560-Aqua	20	240	126	36	255
C4570-Blue Green	0	255	79	30	53



Note: The colors above are simulated renditions of the color output produced compared with other similar incandescent products. Chauvet makes no guarantee of the color output accuracy.

Color Temperature Chart

	R	G	B	A	L
2800K	187	130	97	255	255
3000K	177	145	105	255	255
3200K	168	157	113	255	255
3500K	163	177	124	255	255
4000K	151	195	141	255	255
4500K	145	214	157	255	255
5000K	138	227	170	255	255
5600K	130	239	184	255	255
6000K	126	246	193	255	255
6500K	120	254	201	255	255



Note: The color temperatures above are simulated renditions of the color output produced compared with a tungsten lamp at the specified color temperature. Chauvet makes no guarantee of the color output accuracy.

Control Panel Description

Button	Function
<MENU>	Exits from the current menu or function
<ENTER>	Enables the currently displayed menu or sets the currently selected value into the selected function
<UP>	Navigates upwards through the menu list or increases the numeric value when in a function
<DOWN>	Navigates downwards through the menu list or decreases the numeric value when in a function

Menu Map

Refer for the Ovation E-910FC product page on www.chauvetprofessional.com for the latest menu map.

Main Level	Programming Levels	Description
DMX Address	001–512*	Selects DMX address (*highest channel restricted to personality chosen)
	1Ch	1-channel: dimmer
DMX Channel	3Ch	3-channel: dimmer, virtual color wheel, color temperature
	5Ch	5-channel: RGBAL
	7Ch	7-channel: dimmer, RGBAL, strobe
	10Ch	10-channel: 16-bit dimmer, RGBAL, strobe, virtual color wheel, color temperature
	12Ch	12-channel: dimmer, RGBAL, strobe, virtual color wheel, color temperature, auto program, auto speed, control
	13Ch	13-channel: 16-bit dimmer, 16-bit RGBAL, strobe
	16Ch	16-channel: 16-bit RGBAL and dimmer, strobe, virtual color wheel, color temperature, control
HSV	3-channel: hue, saturation, value	

Main Level	Programming Levels		Description	
Virtual Color Wheel	Virtual Color Wheel	C3050 - Md Yellow	Dimmer 000–255 Virtual Color Wheel simulates the output of each gel color. Refer to the Virtual Color Wheel Chart for specific values.	
		C3040 - Lt Yellow		
		C3240 - Amb Yellow		
		C2340 - VLt Amber		
		C2040 - Lt Amber		
		C2050 - Md Amber		
		C2060 - Dk Amber		
		C1050 - Lt Red		
		C1080 - Md Red		
		C1020 - NC Pink		
		C1030 - Md Pink		
		C1630 - Dk Pink		
		C1250 - Md Red Amber		
		C1060 - Dk Red Amber		
		C1650 - Magenta		
		C6170 - Dk Magenta		
		C6020 - Lt Lavender		
		C5030 - Lt Blue		
		C5020 - VLt Blue		
		C5430 - Lt Blue 2		
		C5070 - Blue		
		C5050 - Md Blue		
		C5060 - Dk Blue		
		C5690 - Indigo		
		C5080 - Vdk Blue		
		C5081 - Vdk Blue 2		
C4370 - Yel Green				
C4070 - Green				
C4550 - Turquoise				
C4560 - Aqua				
C4570 - Blue Green				
Virtual Color Wheel (cont.)	Color Temperature	2800K	Dimmer 000–255 Preset white color temperatures. Emulates a tungsten lamp at the specified color temperature. Refer to the Color Temperature Chart for specific values.	
		3000K		
		3200K		
		3500K		
		4000K		
		4500K		
		5000K		
		5600K		
		6000K		
		6500K		
	Manual Color Mixer		Red	000–255 Combines red, green, blue, amber, and lime to make a custom color (0–100%)
			Green	
			Blue	
			Amber	
Lime				
Auto Show	Auto 1–5	1–100	Selects automatic programs and auto program speed	
Red Shift	On		Mimics halogen lamp dimming	
	Off			
Master/ Slave	Master		Receives DMX signal from the DMX controller (master)	
	Slave		Receives DMX signal from the master unit	
Dimmer Curve	SCurve		Sets the dimmer curve	
	Linear			
	Square			
	Inverse Square			
Dimmer Mode	Off		Linear dimmer	
	Dimmer 1–3		Dimming curves, from fast (Dimmer 1) to slow (Dimmer 3)	

Main Level	Programming Levels		Description
White Balance	Manual	Off	Uses factory default white setting
		Red	Sets red LED maximum value
		Green	Sets green LED maximum value
		Blue	Sets blue LED maximum value
		Amber	Sets amber LED maximum value
		Lime	Sets lime LED maximum value
LED Frequency	600Hz		Sets the PWM output frequency
	1200Hz		
	2000Hz		
	4000Hz		
	6000Hz		
	25KHz		
Fan Mode	Auto		Sets the fan to auto mode
	On		Sets the fan to always on
	Off		Sets the fan to always off
	Silent		Sets the fan to silent
Back Light	10S		Turns off display backlight after 10 seconds of inactivity
	30S		Turns off display backlight after 30 seconds of inactivity
	2Min		Turns off display backlight after 2 minutes of inactivity
	Always On		Display backlight always on
Information	Fixture Hours	----_H	Shows total hours the product has been powered on
	LED Hours	--_H	Shows total hours the LED has been powered on
	Version	V_._	Shows current firmware version
	UID	-----	Shows product UID
Reset Factory	No		Resets settings to factory default
	Yes		



WARNING: When operating in Fan Mode: Off, the fixture will become hotter to the touch than when using other fan modes. Use proper protective equipment to prevent burns. Keep a safe distance from flammable objects.



NOTICE: When operating in Fan Mode: Off, output of the fixture will be reduced and will not reach the same levels as when using other fan modes.

EN

**DMX Values
HSV**

Channel	Function	Value	Percent/Setting
1	Hue	000 ⇔ 255	0–100%
2	Saturation	000 ⇔ 255	0–100%
3	Value	000 ⇔ 255	0–100%

16Ch

Channel	Function	Value	Percent/Setting
1	Dimmer	000 ⇔ 255	0–100%
2	Dimmer fine	000 ⇔ 255	0–100%
3	Red	000 ⇔ 255	0–100%
4	Red fine	000 ⇔ 255	0–100%
5	Green	000 ⇔ 255	0–100%
6	Green fine	000 ⇔ 255	0–100%
7	Blue	000 ⇔ 255	0–100%
8	Blue fine	000 ⇔ 255	0–100%
9	Amber	000 ⇔ 255	0–100%
10	Amber fine	000 ⇔ 255	0–100%
11	Lime	000 ⇔ 255	0–100%
12	Lime fine	000 ⇔ 255	0–100%
13	Strobe	000 ⇔ 010 011 ⇔ 255	No function Strobe, slow to fast
14	Virtual color wheel	000 ⇔ 255	Refer to Virtual Color Wheel Chart
15	Color temperature	000 ⇔ 255	Refer to Color Temperature Chart
16	Control (hold for 3 seconds)	000 ⇔ 007	No function
		008 ⇔ 015	Dimmer reset
		016 ⇔ 023	Red shift on
		024 ⇔ 031	Red shift off
		032 ⇔ 039	S-curve dimmer
		040 ⇔ 047	Linear dimmer
		048 ⇔ 055	Square dimmer curve
		056 ⇔ 063	Inverse square dimmer curve
		064 ⇔ 071	Dimmer speed mode OFF
		072 ⇔ 079	Dimmer speed 1 (fastest)
		080 ⇔ 087	Dimmer speed 2
		088 ⇔ 095	Dimmer speed 3 (slowest)
		096 ⇔ 103	Fan auto
		104 ⇔ 111	Fan on
112 ⇔ 119	Fan off		
120 ⇔ 127	Fan silent		
128 ⇔ 255	Reserved for future use		

13Ch

Channel	Function	Value	Percent/Setting
1	Dimmer	000 ⇄ 255	0–100%
2	Dimmer fine	000 ⇄ 255	0–100%
3	Red	000 ⇄ 255	0–100%
4	Red fine	000 ⇄ 255	0–100%
5	Green	000 ⇄ 255	0–100%
6	Green fine	000 ⇄ 255	0–100%
7	Blue	000 ⇄ 255	0–100%
8	Blue fine	000 ⇄ 255	0–100%
9	Amber	000 ⇄ 255	0–100%
10	Amber fine	000 ⇄ 255	0–100%
11	Lime	000 ⇄ 255	0–100%
12	Lime fine	000 ⇄ 255	0–100%
13	Strobe	000 ⇄ 010 011 ⇄ 255	No function Strobe, slow to fast

12Ch

Channel	Function	Value	Percent/Setting
1	Dimmer	000 ⇄ 255	0–100%
2	Red	000 ⇄ 255	0–100%
3	Green	000 ⇄ 255	0–100%
4	Blue	000 ⇄ 255	0–100%
5	Amber	000 ⇄ 255	0–100%
6	Lime	000 ⇄ 255	0–100%
7	Strobe	000 ⇄ 010 011 ⇄ 255	No function Strobe, slow to fast
8	Virtual color wheel	000 ⇄ 255	Refer to Virtual Color Wheel Chart
9	Color temperature	000 ⇄ 255	Refer to Color Temperature Chart
10	Auto programs	000 ⇄ 010 011 ⇄ 060 061 ⇄ 110 111 ⇄ 160 161 ⇄ 210 211 ⇄ 255	No function Auto program 1 Auto program 2 Auto program 3 Auto program 4 Auto program 5
11	Auto speed	000 ⇄ 255	Auto speed, slow to fast
12	Control (hold for 3 seconds)	000 ⇄ 007 008 ⇄ 015 016 ⇄ 023 024 ⇄ 031 032 ⇄ 039 040 ⇄ 047 048 ⇄ 055 056 ⇄ 063 064 ⇄ 071 072 ⇄ 079 080 ⇄ 087 088 ⇄ 095 096 ⇄ 103 104 ⇄ 111 112 ⇄ 119 120 ⇄ 127 128 ⇄ 255	No function Dimmer reset Red shift on Red shift off S-curve dimmer Linear dimmer Square dimmer curve Inverse square dimmer curve Dimmer speed mode OFF Dimmer speed 1 (fastest) Dimmer speed 2 Dimmer speed 3 (slowest) Fan auto Fan on Fan off Fan silent Reserved for future use

EN

10Ch

Channel	Function	Value	Percent/Setting
1	Dimmer	000 ⇔ 255	0–100%
2	Dimmer fine	000 ⇔ 255	0–100%
3	Red	000 ⇔ 255	0–100%
4	Green	000 ⇔ 255	0–100%
5	Blue	000 ⇔ 255	0–100%
6	Amber	000 ⇔ 255	0–100%
7	Lime	000 ⇔ 255	0–100%
8	Strobe	000 ⇔ 010 011 ⇔ 255	No function Strobe, slow to fast
9	Virtual color wheel	000 ⇔ 255	Refer to Virtual Color Wheel Chart
10	Color temperature	000 ⇔ 255	Refer to Color Temperature Chart

7Ch

Channel	Function	Value	Percent/Setting
1	Dimmer	000 ⇔ 255	0–100%
2	Red	000 ⇔ 255	0–100%
3	Green	000 ⇔ 255	0–100%
4	Blue	000 ⇔ 255	0–100%
5	Amber	000 ⇔ 255	0–100%
6	Lime	000 ⇔ 255	0–100%
7	Strobe	000 ⇔ 010 011 ⇔ 255	No function Strobe, slow to fast

5Ch

Channel	Function	Value	Percent/Setting
1	Red	000 ⇔ 255	0–100%
2	Green	000 ⇔ 255	0–100%
3	Blue	000 ⇔ 255	0–100%
4	Amber	000 ⇔ 255	0–100%
5	Lime	000 ⇔ 255	0–100%

3Ch

Channel	Function	Value	Percent/Setting
1	Dimmer	000 ⇔ 255	0–100%
2	Virtual color wheel	000 ⇔ 255	Refer to Virtual Color Wheel Chart
3	Color temperature	000 ⇔ 255	Refer to Color Temperature Chart

1Ch

Channel	Function	Value	Percent/Setting
1	Dimmer	000 ⇔ 255	0–100%